

DT.meynier/plans/s.AftR1913510018916

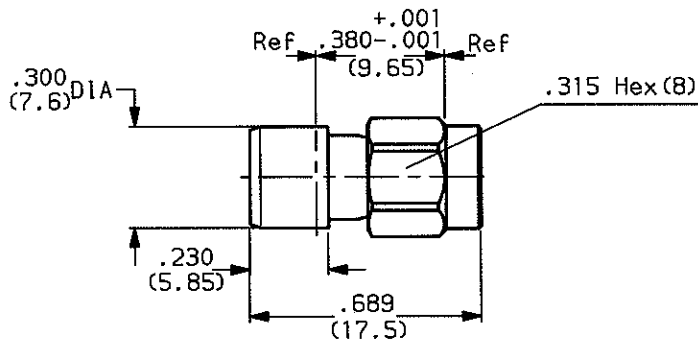
R.ENC. COMP.



TECHNICAL DATA

R191 351 001
 Issue : 9318 Page
 SERIES: ADAPT 01/01

ADAPTER BMA JACK - SMA PLUG



2.5

WEIGHT 0 oz (..... g)

CABLES : -

CHARACTERISTICS

NOMINAL IMPEDANCE	50	Ω
FREQUENCY RANGE	0 - 18	GHz
TEMPERATURE RATING	-65 / +125	°C
VSWR	1.05+ .007FGHz	Max
RF INSERTION LOSS	-	dB Max
VOLTAGE RATING	350	Vrms
DIELECTRIC WITHSTANDING VOLTAGE	1000	Vrms
INSULATION RESISTANCE	5000	Mo
HERMETIC SEAL	-	cc/s cm ³ /s
LEAKAGE (pressurized only)	-	psi kg/cm ²
-	-	-
-	-	-

STANDARDISATION	-
CABLE RETENTION	0 Lb Max NA N Max
CENTER CONTACT RETENTION	-
Axial force - mating end	6.075 Lb Max 27 N Max
Axial force - opposite end	6.075 Lb Max 27 N Max
Torque (Max)	- inch.oz cm.N
MATING TORQUE RECOMMENDED	- inch.Lb cm.N
-	-
-	-

CONSTRUCTION

CONNECTOR PARTS	MATERIALS	FINISH
Body	Stainless steel	Passivated
Outer contact	Beryllium copper	Gold over nickel
Center contact	Beryllium copper	Gold over nickel
Insulators	PTFE	-
-	-	-
-	-	-
-	-	-
-	-	-
-	-	-

ISSUE	REVISION No	DESCRIPTION	BY	DATE
3318	3301.018	Brongz - phosphor -> Beryllium copper	MEYNIER	07-05-93

Initiated on 18 04 89
 Superseded on 07-05-93

The information given here is subject to change without notice. Design changes may be in order to improve the product.

